



SAFARI V-SPEC SNORKEL

SS35HF

10/10/03

ITEM	DESCRIPTION	QTY	PART NO.
1	BODY – SNORKEL (SS35HF)	1	565-133-000
2	3½" AIR RAM ASSEMBLY	1	000-135-800
3	DUCT – INNER (SS35HF)	1	565-124-000
4	DUCT - AIR CLEANER ENTRY (SS35HF)	1	565-123-000
5	BRACKET - UPPER MOUNTING	1	565-032-000
6	BOLT – HEX 6mm x 1.0mm x 14mm	2	000-002-100
7	SCREW - S/T 4.2mm x 13mm – S/S	6	000-951
8	INSERT - PLASTIC	3	000-960
9	STUD - S/S 8m x 1.25mm x 25mm O/L	3	000-110
10	WASHER - BODY 8mm x 30mm –S/S	3	000-311-300
11	NUT - NYLOC 8mm x 1.25mm _ S/S	3	000-205-300
12	HOSE - RUBBER 90mmID x 40mm	1	000-807-157
13	CLAMP - HOSE 80/100mm	2	000-909
14	BRACKET - AIR CLEANER RELOCATION	1	565-031-000
15	BRACKET - AIR CLEANER RELOCATION	1	565-031-100
16	WASHER - BODY 8mm x 24mm x 3mm	3	000-335
17	BOLT - HEX 6mm x 1.0mm x 20mm (SEMS)	3	000-003-100
18	POP RIVET 4.8mm x 21mm	1	000-958-400
19	EDGING - RUBBER 400mm	1	000-953-040
20	CABLE TIE - 178mm	3	000-987-178
21	FIXTURE - HOLES AW CENTRE	1	565-017-100
22	TEMPLATE	1	565-017-000
23	HOSE CLAMP - SIZE 56 (BLACK)	1	000-914/B



SAFARI V-SPEC SNORKEL

SS35HF

MITSUBISHI NM/NP PAJERO V6/V7 SERIES

3.2L DiD (4M41-T Engine)
3.5L V6 Petrol (6G74 Engine)

Fitment to:	Right hand side
Fitting time:	Approximately 180 minutes
Special Tools:	95mm holesaw Pop rivet gun Sikaflex 227 adhesive sealant Step drill Masking tape Loctite 243 (thread lock)

Prior to commencing the installation, it is the installer's responsibility to verify that all components and particularly the template (Item 22) are correct.

Instructions:

1. Remove : R/H wheelarch liner
: Grille
: R/H headlight
: R/H side indicator and wiring loom
: Air intake ducting
: Air cleaner housing and mounting bracket



SAFARI V-SPEC SNORKEL

2. Tape the template to the upper rear corner of the right hand guard. Using a felt tip pen, mark all hole positions. Remove template.
3. Drill a 4mm pilot hole for each hole position. Using the step drill, drill the 3 snorkel mounting hole positions to 16mm. Using the 95mm holesaw, drill the main hole for the snorkel snout. Deburr and paint all holes.
4. Position the holesaw centre fixture into the hole in the inner guard behind the headlight, mark the 2 hole positions, drill a 1/8" hole for each position, fasten the holesaw centre fixture into position using screws (Item 7), with the holesaw centre fixture installed enlarge the existing hole, using the 95mm holesaw. Deburr and paint hole, install rubber edging to hole trimming any excess edging.

NEW ZEALAND INSTALLATIONS ONLY :

Safari have developed 2 methods of Snorkel A pillar attachment, for the conventional method please proceed with the current document alternatively please see the link below for further instructions.

www.safari4x4.co.nz/apillarmounting

5. Apply Loctite 243 to each of the stainless steel mounting studs (item 9) and install the studs finger tight into the snorkel body (item 1) mounting inserts. Fasten the upper mounting bracket to the snorkel body. Stick masking tape onto the 'A' pillar approximately in the upper mounting bracket position, carefully position the snorkel body onto the guard. With the snorkel correctly positioned on the guard, mark the position of the upper mounting bracket on the masking tape. Remove the snorkel body.
6. Remove the bracket from the snorkel body, place the bracket onto the 'A' pillar with the bracket correctly positioned, mark the 3 mounting hole positions, drill the 3 marked holes on the 'A' pillar to 8mm. Deburr and paint holes.



SAFARI V-SPEC SNORKEL

7. Insert plastic body clips into the 'A' pillar, fasten the upper mounting bracket to the 'A' pillar, using screws (Item 7).
8. Relocate the side indicator loom through the rear hole in the inner guard, using cable ties to secure the indicator loom to the other looms.
9. Measure back 25mm from the front air cleaner mounting bracket hole position, drill a 12mm hole, deburr and paint hole, position a spacer washer (Item 16) at each of the air cleaner mounting bracket hole positions, with the spacer washers in position, fasten the air cleaner relocation mounting brackets into position, fasten the air cleaner mounting bracket to the relocation brackets.
10. Install the inner duct into position, with the inner duct in position apply a liberal amount of Sikaflex adhesive sealant to the inside of the duct, apply Sikaflex adhesive sealant to the snorkel body snout to ensure a watertight seal between the snorkel body snout and inner duct is achieved, install the snorkel body to the guard, guiding the snorkel body snout into the inner duct with the snorkel body correctly positioned fasten to the guard using necessary hardware, fasten upper mounting bracket to the snorkel body.
11. Secure the inner duct to the snorkel body using S/T screw (Item 7), ensure the inner duct is hard up against the shoulder on the snorkel body snout before securing to the snorkel body.
12. Drill a 5mm hole between the first and second internal ribs of the air cleaner housing 55mm down from the air filter element recess.
13. Position the hose and hose clamps onto the inner duct, install the air cleaner housing to the vehicle, with the air cleaner housing correctly fastened, install the air cleaner entry duct. With the air cleaner entry duct correctly positioned, mark the hole position through the air cleaner housing onto the air cleaner entry duct side pad. Remove air cleaner entry duct and air cleaner housing.

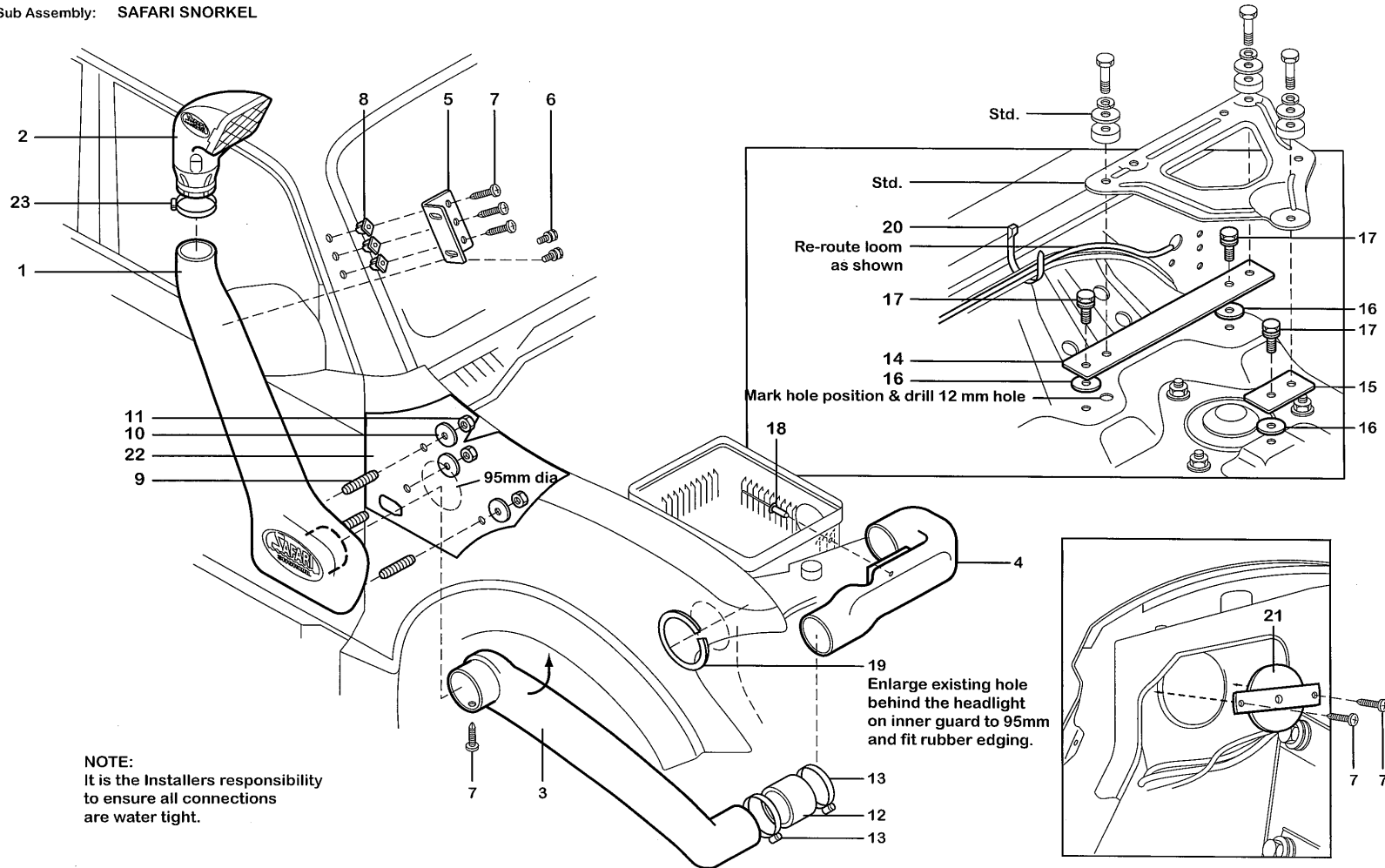


SAFARI V-SPEC SNORKEL

14. Drill the marked hole position to 5mm. Apply Sikaflex adhesive sealant to the pad, apply Sikaflex adhesive sealant to the air cleaner entry duct and the air cleaner housing inlet, secure the air cleaner entry duct to the air cleaner housing using pop rivet (Item 18), ensuring a watertight connection between the air cleaner entry duct and air cleaner housing is achieved, applying more sealant if required or removing any excess sealant to ensure a neat job.
15. Install the air cleaner housing to the air cleaner housing mounting bracket and fasten, with the hose and hose clamps correctly positioned, fasten the hose clamps to complete the connection of the inner duct to the air cleaner entry duct.
16. Re-install air cleaner element, air cleaner lid and secure, re-install the headlight and grille, re-install side indicator and re-connect loom, check operation of the headlight and side indicator, before installing the inner guard liner.
17. Install the air ram assembly to the snorkel body and fasten clamp.

N.B: It is the installer's responsibility to ensure that all connections are watertight.

Model No: **SS35HF** 05/04/04
 Description: **MITSUBISHI PAJERO V6/V7 SERIES 3.2 DiD**
 Sub Assembly: **SAFARI SNORKEL**



NOTE:
 It is the Installers responsibility
 to ensure all connections
 are water tight.