



SAFARI V-SPEC SNORKEL

SS60HF

04/02/03

ITEM	DESCRIPTION	QTY	PART NO.
1	BODY - SNORKEL	1	355-133-000
2	3" AIR RAM ASSEMBLY	1	000-135-050
3	BRACKET - UPPER MOUNTING	1	355-032-000
4	SCREW - <i>SIT</i> - 4.2 x 13mm	3	000-951
5	CLIP - BODY - PLASTIC	3	000-960
6	BOLT- HEX- 6mm x 1.0 x 14mm	2	000-002-100
7	ADAPTOR - DUCT	1	355-023-400
8	POP RIVET - 4mm x 12mm	3	000-958
9	CUFFED HOSE - 75mm ID x 700mm	1	000-885-070
10	CLAMP - HOSE - 70190	2	000-908
11	EDGING - RUBBER - 400mm	1	000-953-040
12	STUD - <i>S/S</i> - 8mm x 1.25 x 25mm - OIL	4	000-110
13	NUT - NYLOC - 8mm x 1.25	4	000-205
14	WASHER - BODY - 8mm x 30mm	4	000-311
17	TEMPLATE	1	355-017-000
18	HOSE CLAMP - SIZE 48 (BLACK)	1	000-918IB

WARNING!!

IT IS AN INSTALLER
RESPONSIBILITY TO VERIFY
ALL COMPONENTS, AND
PARTICULARLY THE
TEMPLATE ARE CORRECT,
BEFORE STARTING ANY PART
OF THE SNORKEL
INSTALLATION.

(CHECK TEMPLATE AGAINST
SNORKEL BODY)



SAFARI V-SPEC SNORKEL

SS60HF

To Suit:

TOYOTA LANDCRUISER '60 SERIES	2H DIESEL	(4.0L)
	2F PETROL	(4.2L)
	12HT TURBO DIESEL	(4.0L)
	3F PETROL	(4.0L)

Fitment to:	Right hand side
Fitting time:	Approximately 95 minutes
Special Tools:	95mm holesaw Pop rivet gun

Instructions:

1. Remove the windscreen washer bottle and the battery from the vehicle. The air cleaner entry duct will need to be removed from the inner guard area.

2. Tape the template in position on the upper rear corner of the guard. Using a felt pen, mark the hole positions then remove the template.
3. Drill a 4mm pilot hole for each of the holes. Open the 4 mounting holes to 16mm using a stepdrill. The front hole should be cut to 95mm using a holesaw. The drill should be held horizontal while cutting this hole. When drilling/cutting is completed, deburr all holes to leave a smooth edge.
4. Rivet the elbow casting to the snorkel snout. The snout of the casting should face towards the front of the snorkel. Keep the casting as close to the outer end of the snorkel snout as possible. This will make fittment easier. Seal this joint thoroughly with silicone.

NEW ZEALAND INSTALLATIONS ONLY :

Safari have developed 2 methods of Snorkel A pillar attachment, for the conventional method please proceed with the current document alternatively please see the link below for further instructions.

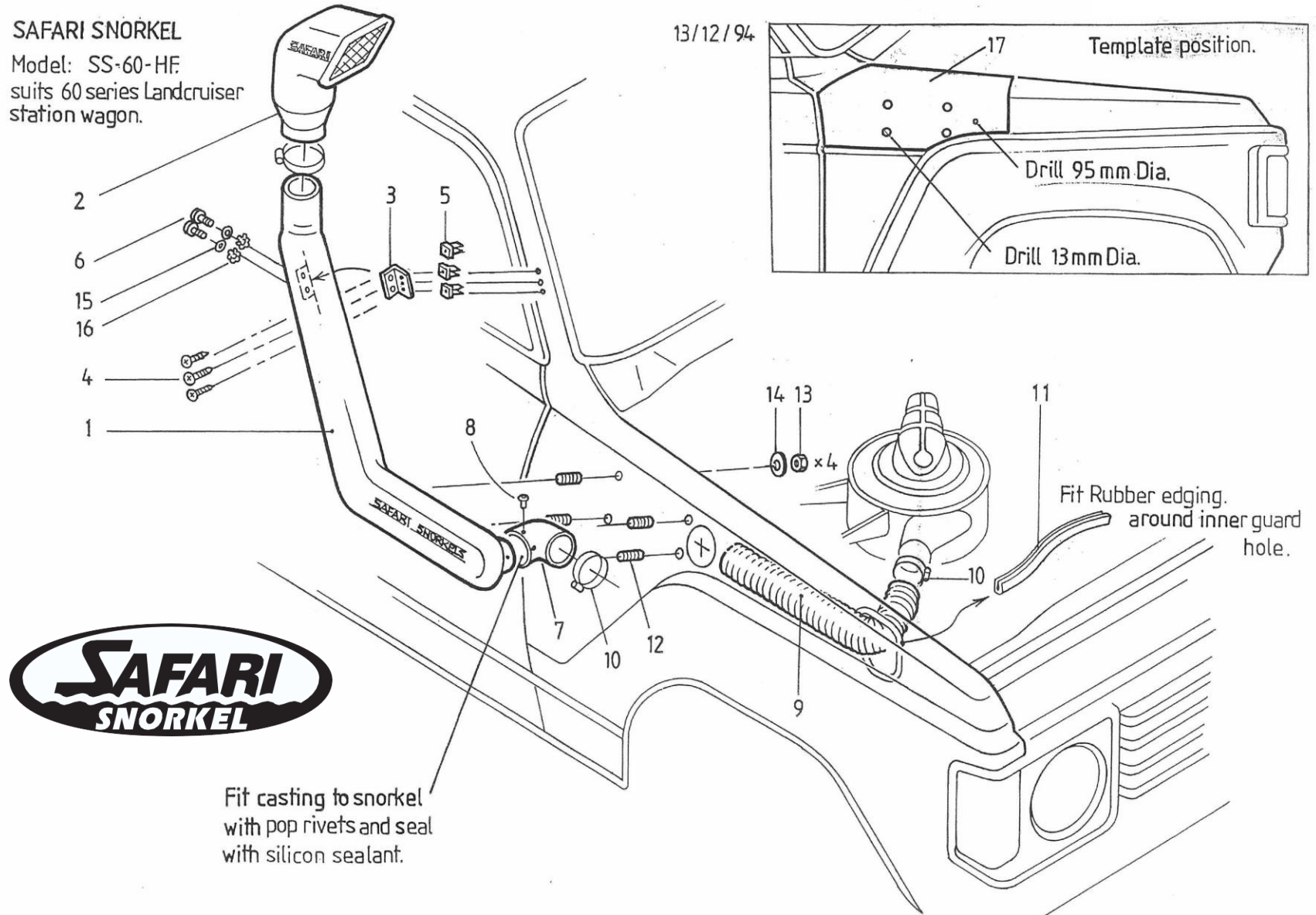
www.safari4x4.co.nz/apillarmounting

5. Screw the stainless steel studs into the inserts in the back of the snorkel. Bolt the upper mounting bracket to the snorkel using 2, 6mm bolts and washers. Sit the snorkel in position on the vehicle and mark the upper mounting holes on the "A" pillar. Remove the snorkel. Drill the upper holes to 8mm.
6. Paint all holes to prevent rust. Insert the plastic body clips in the upper holes. Remove the upper bracket from the snorkel body and fasten it to the "A" pillar.
7. Slide the flexible ducting onto the alloy elbow. Fasten with a 60/80 clamp (the clamp adjuster should be orientated towards the outside of the elbow casting to allow for easier fitment).
8. Place a ring of rubber edging around the inner guard hole nearest the air cleaner snout.
9. Slide the cuffed hose through the outer hole and along the inner guard cavity. Thread the casting through the hole and secure the snorkel in position on the vehicle using appropriate hardware.
10. Thread the ducting through the inner guard hole and onto the air cleaner snout. Secure using a 60/80 hose clamp.
11. Refit the windscreen washer bottle and battery. Place the air ram on top of the snorkel and secure with the clamp provided.

SAFARI SNORKEL

Model: SS-60-HF
suits 60 series Landcruiser
station wagon.

13/12/94



Fit casting to snorkel
with pop rivets and seal
with silicon sealant.

Fit Rubber edging
around inner guard
hole.